

SLIDING DECKING BEAMS FALSE CEILING

False Ceiling

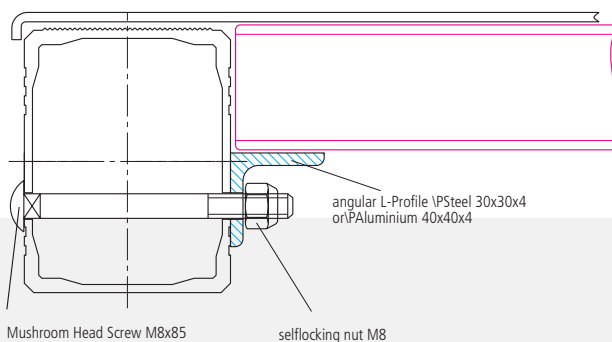
Solutions for false ceilings will be developed especially according to your requirements:

- they can be enlarged / modified
- easy handling because of central operation of both locking tools
- the keepers (angles) can be fixed sidewise by screws and meets various possibilities
- Size and kind of the equipment depend on the capacity, the use and the framework
- Aluminium smooth or profiled, steel, wood
- Keeping profiles made of steel or aluminium
- Screw-, rivet- or welded joints



Mechanical Protection

Supporting surface - plate



Supporting Surface - wood

