

# PARTING WALL LOCKS

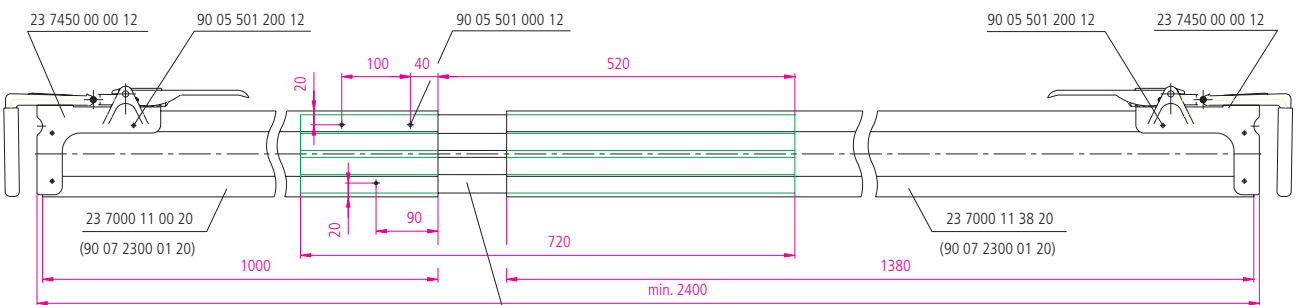
## Parting Wall Lock

Order-No.: 23 7452 9000 20

Performance: Aluminium  
 Endfitting: Steel  
 Profile: Aluminiumprofile 125 x 30  
 Load Capacity: for example at a regular line load 4000 N the endfitting starts sliding at an aluminium wall

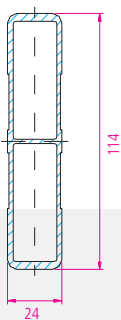
Usage: min. 2400 mm  
 Clamp Range: 21 - 36 mm  
 Weight: 11,0 kg

The colour of the cap may vary.

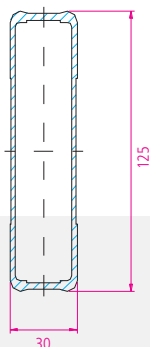


**Attention:**  
 for maximum power the hexagon head nut has to be adjusted to the clamping width

Inner Profile running meter  
 Order-No.: 90 07 2300 00 20



External Profile running meter  
 Order-No.: 90 07 2300 01 20



### Protecting cap for parting wall lock

Order-No.: 23 745 99 004 40

Avoids damage by scratching the wall including the anti-slip effect.



Mechanical Protection

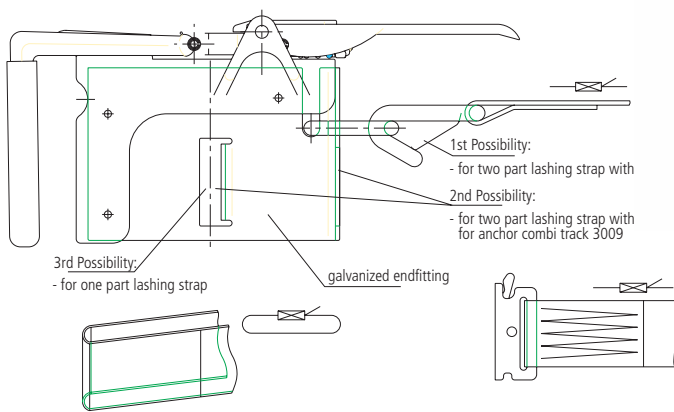
Option: Parting Wall Lock Order-No.: 23 7452 90 00 28 aluminium profile anodic coated

# PARTING WALL LOCKS VARIO ENDFITTING

## Vario Endfitting

Order-No.: 23 7420 00 00 12

- Performance: The durable Vario endfitting in connection with lashing strap grants a flexible usage on platform trucks
- Endfitting: galvanized steel
- Load Capacity: 2000 da N (2000 kg) Line Load
- Clamp Range: 21 – 36 mm
- Weight: 3.0 kg



Mechanical Protection



1st Possibility  
Two part lashing strap with endfitting



2nd Possibility  
Two part lashing strap with hooks



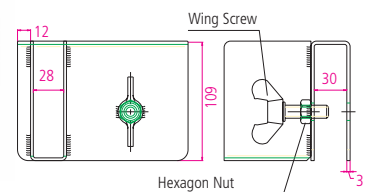
3rd Possibility  
One part lashing straps

- Performance: Aluminium
- Profile: 24 x 114
- Length: 3.6 m resp. length on demand
- Weight: 1.7 kg/m

## Clamp Keeper left

Order-No.: 23 5001 00 00 12

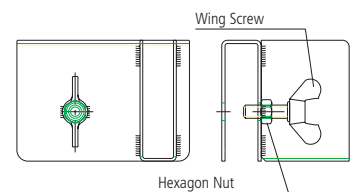
Material: galvanized steel



## Clamp Keeper right

Order-No.: 23 5000 00 00 12

Material: galvanized steel



## Profile

Order-No.: 90 0723 0000 20

Option: Parting Wall Lock

Order-No.: 23 7452 90 00 28

Aluminium profile anodic coated

# PARTING WALL LOCKS

## CurtainBar™

Order-No.: 23 75 5200 00 20

Performance: rubber pads on both sides  
Endfitting: steel  
Staypipe: steel tube, zinc plated  
Side Length: 45 x 45 mm  
Adjustment: 1140 mm - 2710 mm  
Clamp Range: 8 - 45 mm  
Weight: 8.0 kg



Mechanical Protection

## BoardClamp™ Patent Pending

Order-No.: 23 75 52 1000 00

Performance: 1 pair of clamps with 3.5 m lashing strap  
Clamp Range: 8 - 45 mm  
Weight: 3.4 kg

