

# SAFETY FEATURES FOR PALLETS FOR DECKING BEAMS

## SAFETY FEATURES FOR DECKING BEAMS

Even when you are loading goods which are not stackable, Double Decking Systems allow loading pallets on the second deck.

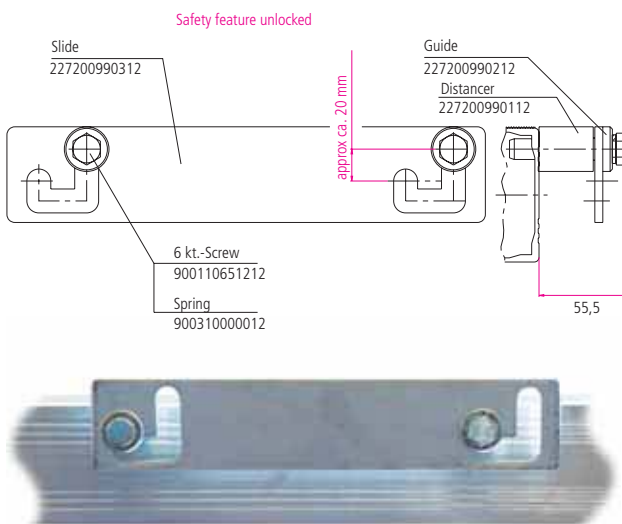
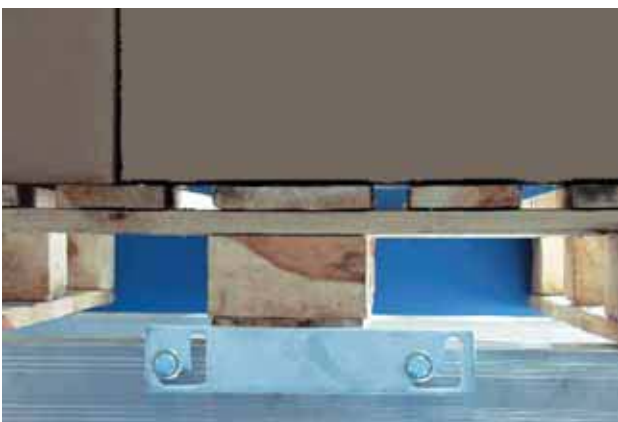
In this case the Decking Beams are used as carrier and safety feature for the pallets.

Because of little space it might be possible that under certain

circumstances in the door area only one Decking Beam can be placed.

According to the arrangement of the pallets (in driving direction or transverse) 2 or 3 safety features per beam are necessary. Wistra safety features for pallets for decking beams are an economical and safe possibility to prevent the pallets from sliding down.

### Safety Features for Pallets



Other arrangements are possible

### PERFORMANCE:

Material: galvanized steel

Usage: approx. 20 mm (see drawing below)

Weight: 1.0 kg

### Combination with sliding Decking Beams

Order-No.: 22 7007 00 00 20  
assembled

Order-No.: 22 7237 00 00 20  
Sliding Decking Beams, 3 safety features

Order-No.: 22 7227 00 00 20  
Sliding Decking Beams, 2 safety features



### Unlocking latch for Sliding Decking Beam

Order-No.: 22 7000 00 00 12

The automatic locking latch can be unlocked manually or with the help of an unlocking tool.

PERFORMANCE: The unlocking tool is a galvanized steel tube 25x1, 5x 1200 mm with handle and stopper incl. fixing clamp.

### Pallet safety device, sinkable

Order-No.: 22 7200 98 01 12

By twisting and sinking of the bearing surface the construction height can be reduced to 7 mm.