

# CARGO BARS

## PERFORMANCE

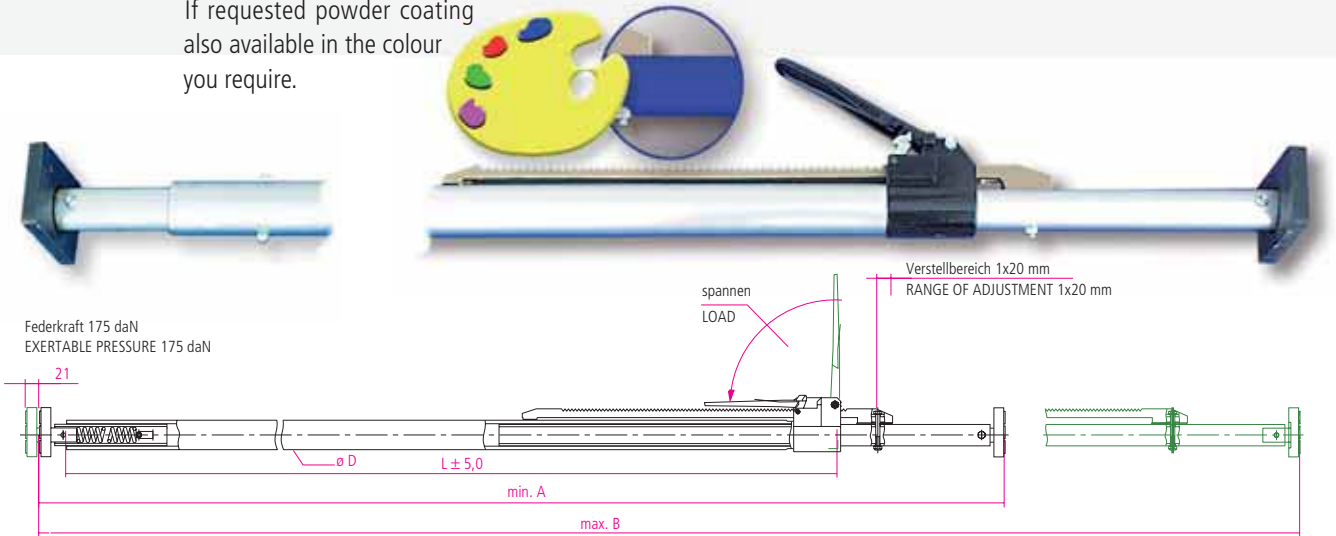
Endfitting: both sides rubber pads  
 – one- or bothsides fixings/plugs on demand

Staypipe: highfast aluminium pipe  
 – anodic coating on demand

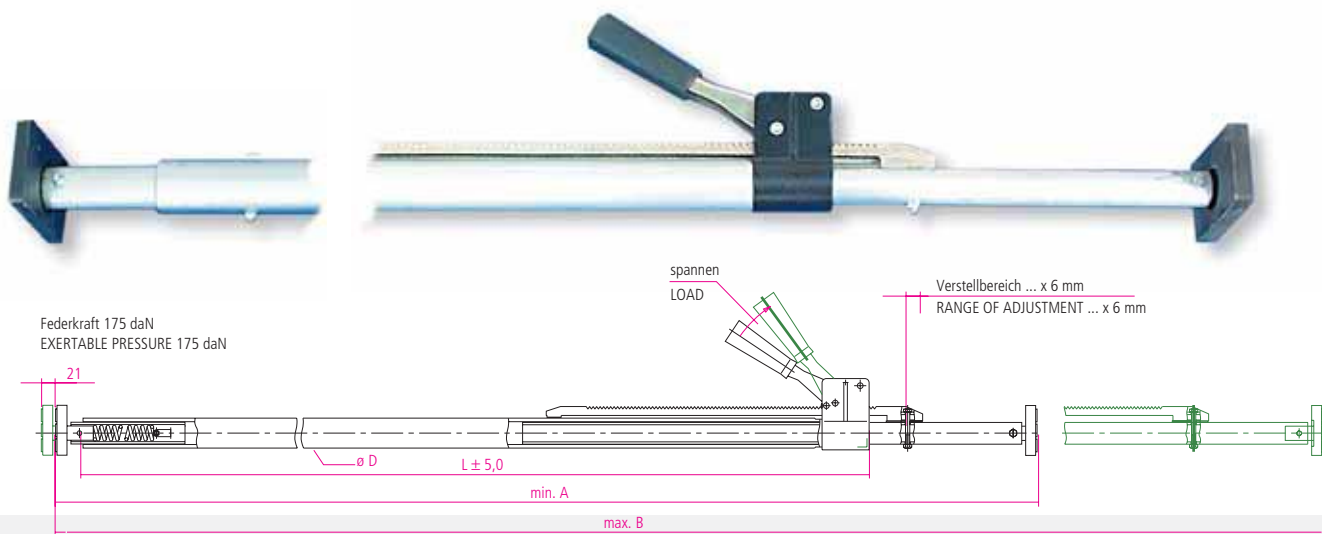
Spring-function: pressing – grants perfect formfitting by leveling out carmovements  
 If requested powder coating also available in the colour you require.

Load Capacity: depends on adhesion between rubber pad and the material of the wall where the beam will be fixed slips at approx. 150 daN, maximum load approx. 250 daN considering constant line load

Mechanical Protection



Order-No.:	D	L	Usage		Weight
			min. A	max. B	
22 1842 01 00 20	42 mm	1810 mm	2100 mm	2470 mm	5,3 kg
22 1843 01 00 20	42 mm	1970 mm	2350 mm	2720 mm	5,5 kg
22 1867 01 00 20	38 mm	1970 mm	2260 mm	2630 mm	4,6 kg



Order-No.:	D	L	Usage		Weight
			min. A	max. B	
22 1942 01 00 20	42 mm	1810 mm	2100 mm	2470 mm	5,3 kg
22 1943 01 00 20	42 mm	1970 mm	2350 mm	2720 mm	5,5 kg
22 1967 01 00 20	38 mm	1970 mm	2260 mm	2630 mm	4,6 kg

# CARGO BARS

## SPARE PARTS

### Housing with tensioner and toothed rack

38 mm

for cargo bars 22 18.....

Order-No.: 22 1867 99 10 00

### Housing with tensioner and toothed rack

42 mm

for cargo bars 22 18.....

Order-No.: 22 1867 99 10 00 TW

### Housing with tensioner and toothed rack

38 mm

for cargo bars 22 19.....

Order-No.: 22 2167 99 10 00

### Rubber Pad

Order-No.: 22 1867 99 03 00

## ACCESSORIES

### Hoops for cargo bars

diameter D = 38 mm

for extensive safeguarding especially for very light goods

Extension up to 610 mm, hoop 740 mm wide

Material: galvanized steel - pipe 25 mm

Weight: 6,0 kg

Order-No.: 22 6700 00 00 12

### Now available for

diameter D = 42 mm

Order-No.: 22 4300 00 00 12



## KBLC square cargo bar

### PERFORMANCE:

End-fitting: with anti-slip rubber pad at both sides

Staypipe: steel tube, zinc plated



Order-No.	Side Length	L	Adjustment		weight
			min. A	max. B	
22 1840 00 00 12	35 x 35 mm		1880 mm	2850 mm	7 kg

## Square Cargo Bar

### PERFORMANCE:

End-fitting: with anti-rack/slip rubber pads both sides

Staypipe: steel tube, zinc plated



Order-No.	Side Length	L	Adjustment		weight
			min. A	max. B	
22 1938 01 00 12	38 x 38 mm		2300 mm	2900 mm	6,6kg

Mechanical Protection

# CARGO BARS

## SmartBar™

Endfitting: with anti slip rubber pads both sides and anchor track kit  
 Staypipe: steel tube, zinc plated

Due to the kit the SmartBar™ can be used together with the anchor tracks.  
 The retention force is doubled.

Mechanical Protection



Order-No.:	Side Length	L	Usage		Weight
			min. A	max. B	
22 05 50 1000 12	45 x 45 mm	875 mm	1220 mm	2740 mm	7.0 kg

## BabyBar™

Endfitting: with anti slip rubber feet both sides  
 Staypipe: steel tube, zinc plated

Multipurpose application for transporters, pick-up trucks, estate and private cars



Order-No.:	Side Length	L	Usage		Weight
			min. A	max. B	
22 05 52 2500 12	26 x 26 mm	1020 mm	1120 mm	1980 mm	2.0 kg