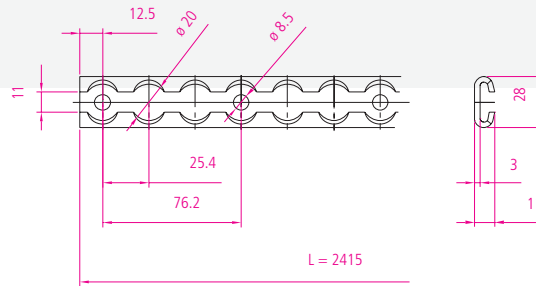


# AIRLINE TRACKS

Mechanical Protection

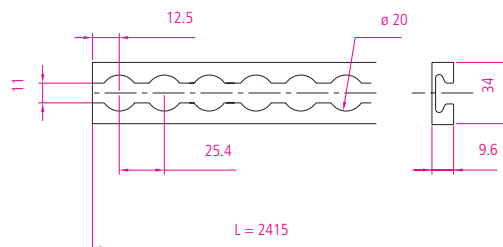
**Airline Tracks, steel galvanized**  
**Order-No.: 21 5001 31 20 12**

Standard Length: 2415 mm  
 Weight: 0.9 kg/m



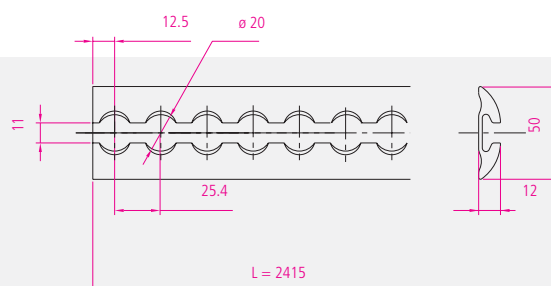
**Airline Tracks, Aluminium**  
**Order-No.: 21 5300 25 20 20**

Standard Length: 2000, 3000, 5900 mm  
 Weight: 0.5 kg/m



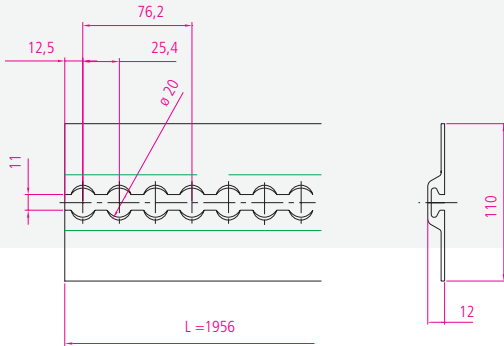
**Airline Tracks, Aluminium**  
**Order-No.: 21 5200 25 20 20**

Standard Length: 2000, 3000, 5900 mm  
 Weight: 0,7 kg/m

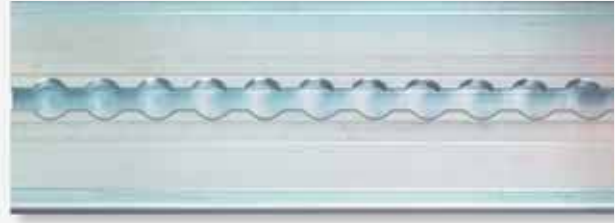


# AIRLINE TRACKS

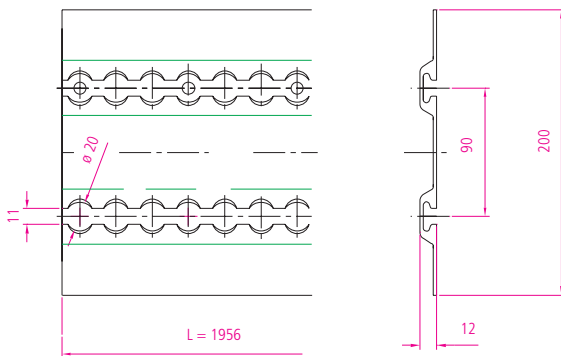
**Airline Tracks, Aluminium**  
Order-No.: 21 5100 25 20 20



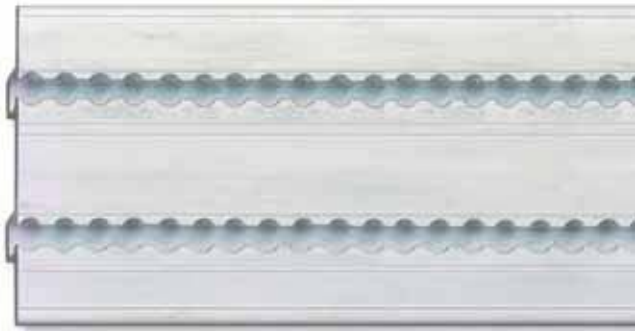
Standard Length: 1956 mm  
Weight: 2.3 kg



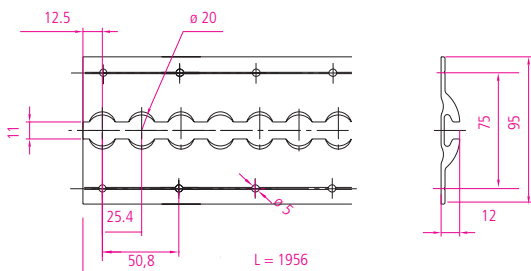
**Airline Tracks, Aluminium**  
Order-No.: 21 5120 25 20 20



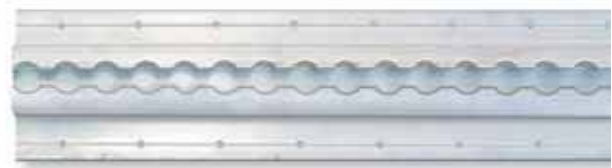
Standard Length: 1956 mm  
Weight: 4.3 kg



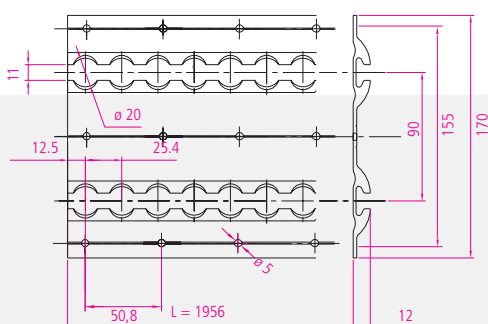
**Airline Tracks, Aluminium**  
Order-No.: 21 5000 25 20 20



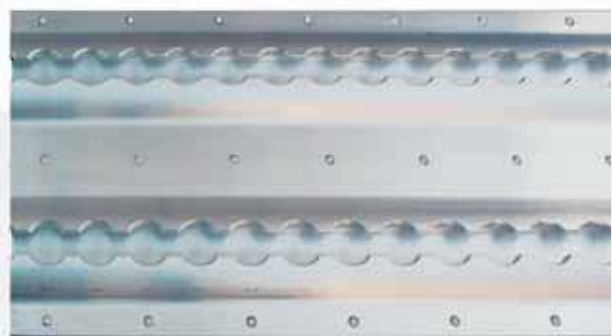
Standard Length: 1956 mm  
Weight: 2.0 kg



**Airline Tracks, Aluminium**  
Order-No.: 21 5020 25 20 20



Standard Length: 1956 mm  
Weight: 4.0 kg



Mechanical Protection