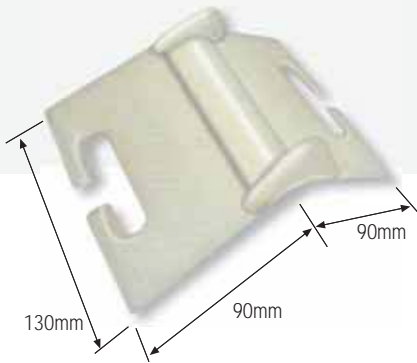


ACCESSORIES

The various WISTRA Edge Protectors save Webbing and Goods.

WISTRA offers different Edge Protection Systems for special applications

Edge Protection



Order-No.: 16 220 00 002 40
open
Order-No.: 16 220 00 000 40
closed
Material: Polyethylene
Colour: white

Edge Protection, XXL



Order-No.: 16 440 00 000 40
Material: plastic
Colour: blue

Edge Protection



Order-No.: 16 660 00 000 40
Material: plastic
Colour: red

Edge Protection

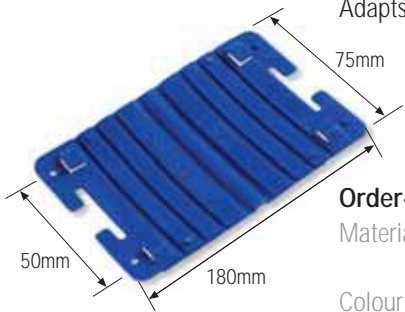


Order-No.: 16 3000 00 00 40
Material: plastic
Colour: orange

Available in every dimension
up to 5 m

CargoGuard™ (Patent Pending)

Adapts to the shape of the load



Order-No.: 16 05 56 8100 40
Material: thermoplast of high load capacity
Colour: blue

Abrasion protection

Order-No.: 16 103 50 000 40
for 35 mm Webbing Width
Order-No.: 16 105 00 000 40
for 50 mm Webbing Width
Material: plastic
Colour: black



Hose for Edge Protection

Order-No.: 16 102 10 000 40
for 35 mm Webbing Width
Order-No.: 16 102 00 000 40
for 50 mm Webbing Width

Material: webbing strengthened rubber hose
Colour: blue



Corner Protection Hose



Order-No.: 16 102 00 000 41
for webbing width 50 mm
Material: profiled rubber hose
Colour: black

ACCESSORIES

Anti-slip mats

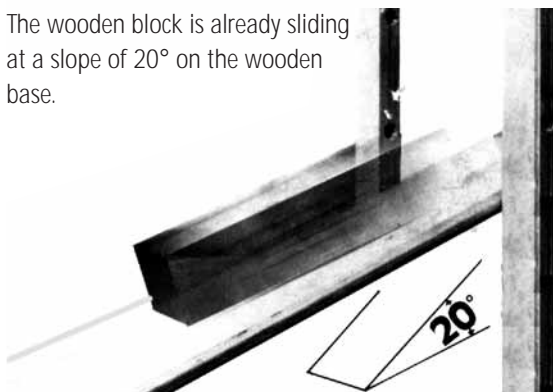
Anti-slip coatings are supplied as mats or pads.
So the necessary prestress forces are reduced during tie-down.

Application according to VDI 2700

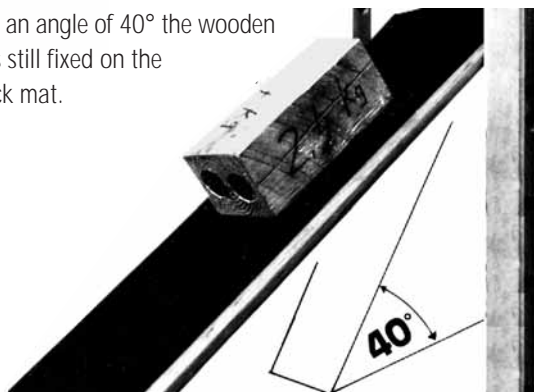


Further dimensions, qualities
and thicknesses on demand

The wooden block is already sliding
at a slope of 20° on the wooden
base.



Despite an angle of 40° the wooden
block is still fixed on the
anti-rack mat.



Article	Dimension	Thickness	Notes - sliding friction figures determined at paper rolls -	Order-No.:
blank Regupol 7210	110 x 130 mm	8 mm	PU fixed rubber granulate, black sliding friction value > 0,7 μ	16 110 80 130 81
blank Regupol 7210	200 x 300 mm	8 mm	PU fixed rubber granulate, black sliding friction value > 0,7 μ	16 200 80 300 81
stripes Regupol 7210	250 x 5.000 mm	8 mm	PU fixed rubber granulate, black sliding friction value > 0,7 μ	16 250 85 000 81
stripes Regupol 7210	500 x 5.000 mm	8 mm	PU fixed rubber granulate, black sliding friction value > 0,7 μ	16 500 85 000 81
lines Regupol 7210	1.250 x 10.000 mm	8 mm	PU fixed rubber granulate lay, coloured, sliding friction value 0,7 μ	16 125 08 100 81
stripes Regupol 7210	250 x 6.000 mm	10 mm	PU fixed rubber granulate, black sliding friction value > 0,7 μ high tensile, waterproof	16 251 06 000 81